



AS8 gPV NH3L Size



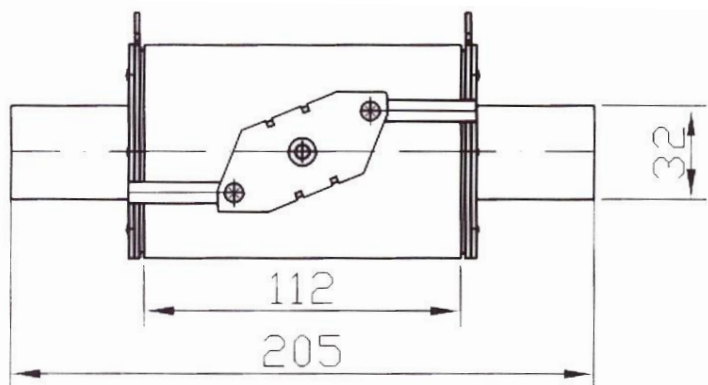
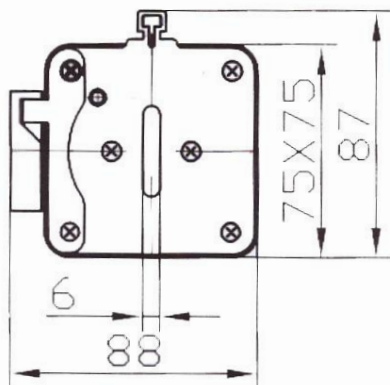
FEATURES:

- Rated voltage: 1000 VDC, class gPV
- Rated Current: 125~400A
- Rated Breaking Capacity: 30 kA
- Max Dissipation: 65W
- Standard: IEC60269

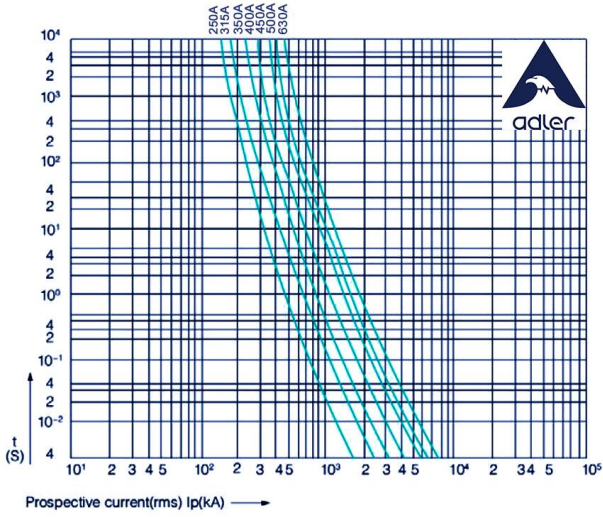
ELECTRICAL SPECIFICATIONS

Part Number	Rated Current	I ² t (A ² s)		Max Dissipation (W)		Certifications
		Pre-Arc	Total @ Rated Voltage	70% In	100% In	TÜV
AS83250700	250A	22000	95000	75	100	○
AS83315700	315A	27720	119700	75	100	○
AS83350700	350A	30800	133000	75	100	○
AS83400700	400A	35200	152000	75	100	○
AS83450700	450A	39600	171000	75	100	○
AS83500700	500A	44000	190000	75	100	○
AS83630700	630A	55440	239400	75	100	○

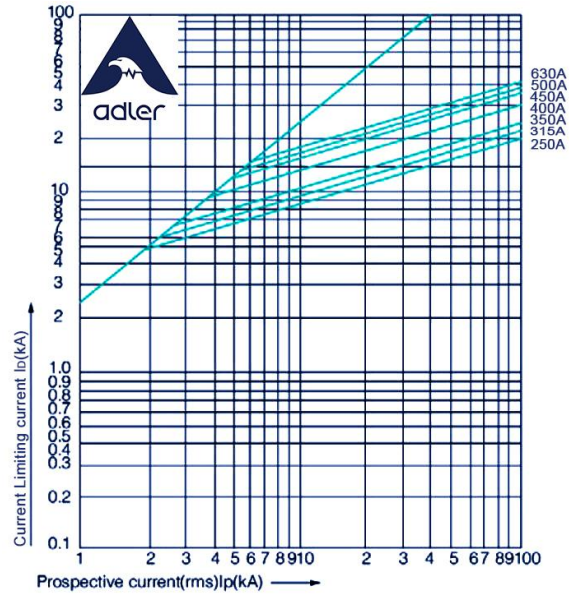
DIMENSIONS (mm)



TIME/ CURRENT (I-T) CHART (reference)



CURRENT LIMITING-CURRENT (reference)



MATCHING FUSE HOLDERS/ ACCESSORIES:

- Holders NH3L/NH2XL Series.

